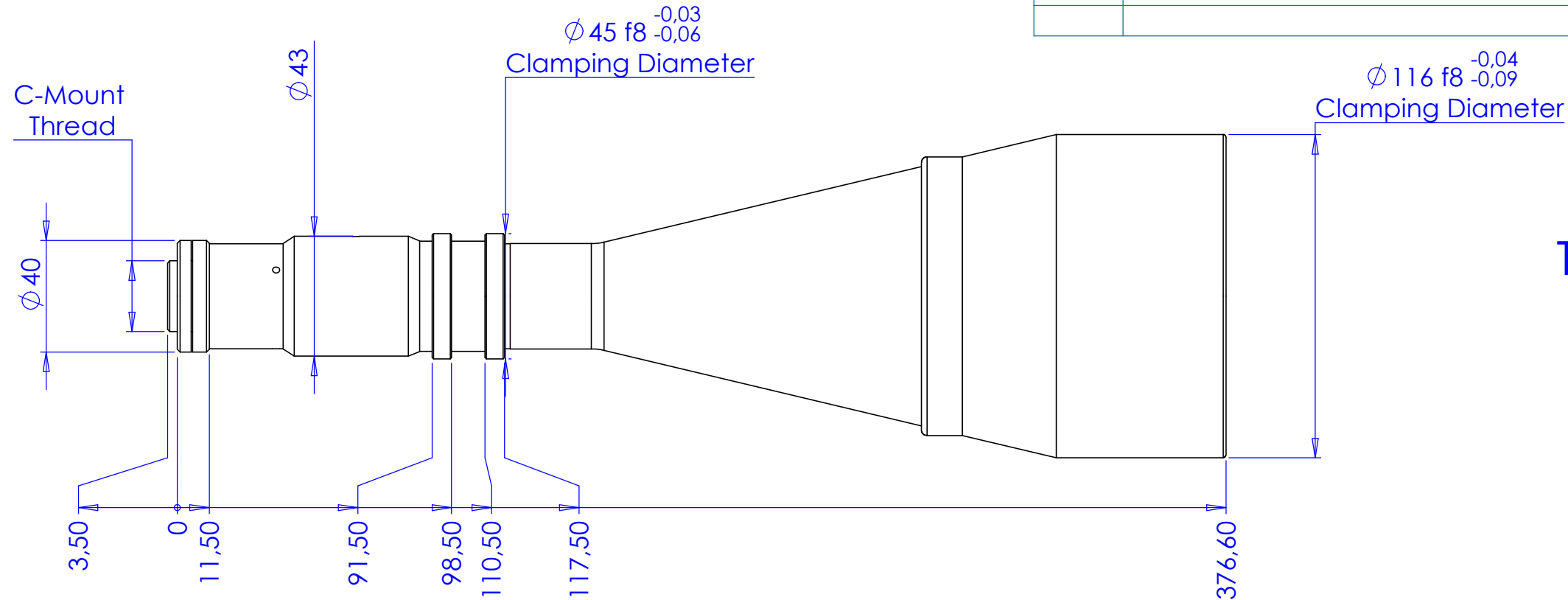
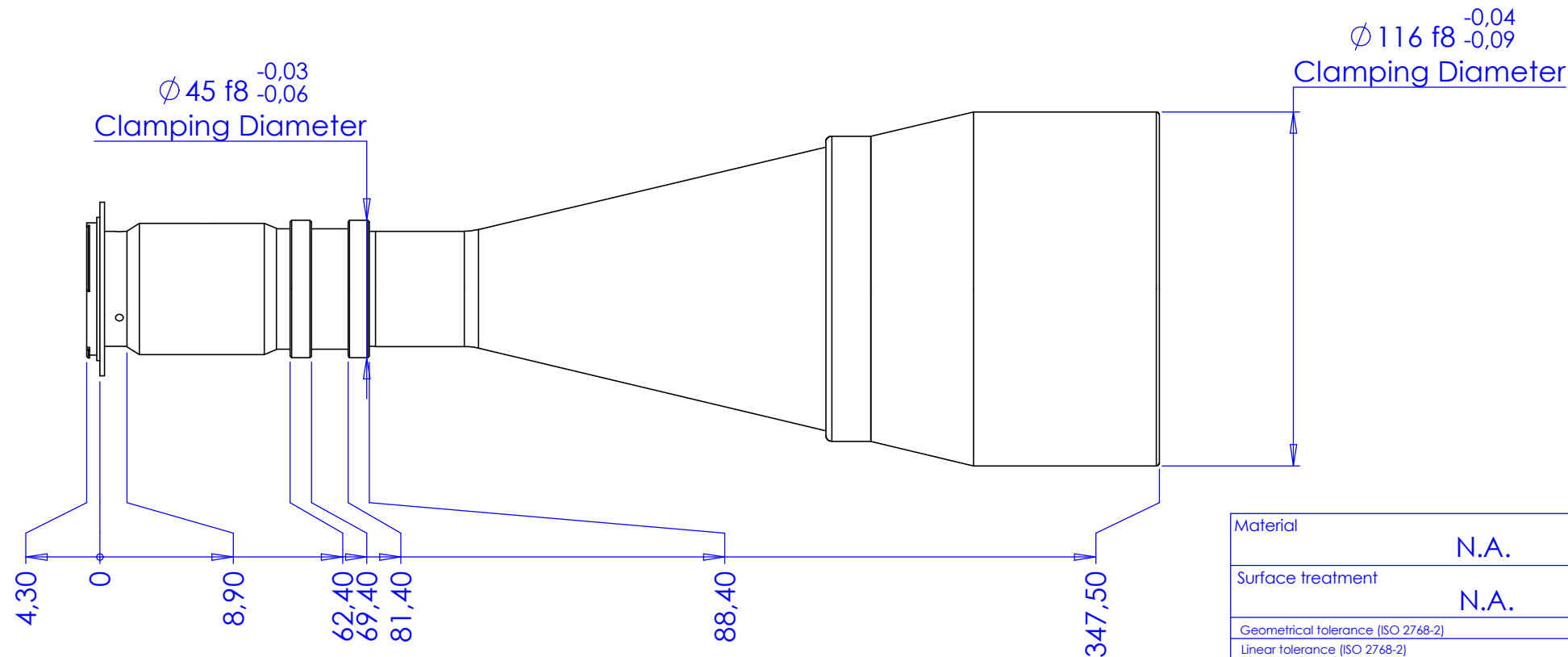


Rev No.	Description	Date	Name
A	New Part	05/05/2003	A.Vismara



TC 2M 80/C
C-Mount



TC 2M 80/F
F-Mount

Material	N.A.		Mass	1336 g	Scale	1:2
Surface treatment	N.A.		Project-Prod.item/Instrument		TC 2M 80	
Geometrical tolerance (ISO 2768-2)			Class	K	Description	
Linear tolerance (ISO 2768-2)			Class	m	Undimensioned bevels	0.5x45°
0.5	>3±	>6±	>30±	>120	>400±	>1000
±3	6	30	120	±400	1000	±2000
±0.1	±0.1	±0.2	±0.3	±0.5	±0.8	±1.2
			Class	m	Undimensioned radii	R 0.5
			Class	m	Undimensioned radii	R 0.5
Date		Name		Drawing No.		Sheet
Designed 17/07/2006		A.Vismara		21588-0-A		1/1
Draw 17/07/2006		A.Vismara		Reproduction forbidden without specific authorization		
Checked X		C. Sedazzari				
OPTO ENGINEERING S.r.l. - 46100 Mantova Italy - Via Cremona, 29/2 - Tel. +39 0376 263525 - e-mai: info@opto-engineering.com - http://www.opto-engineering.com						